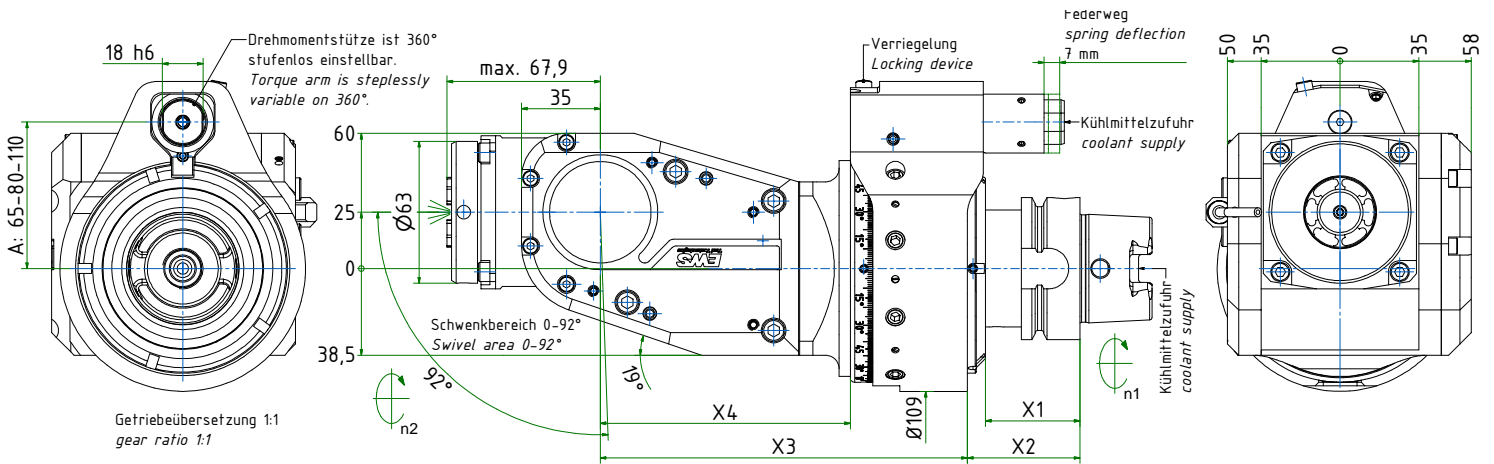
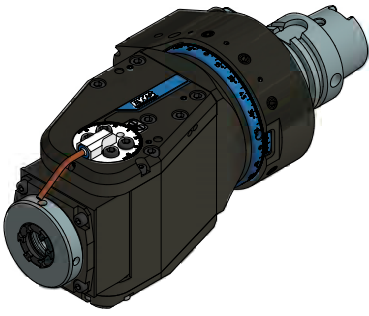
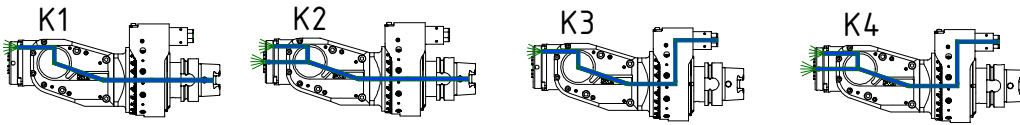


SWIVEL



Coolant Type



SHAFT	BT40	BT50	SK40	SK50	CAT 40	CAT 50	PSC 40	PSC 50	PSC 63	PSC 80	HSK40	HSK50	HSK63	HSK80	HSK100
X1	43	50	35	35	35	35	26	27	29	30	35	42	42	42	45
X2	51	58	43	43	43	43	34	35	37	38	43	50	50	50	53

SIZE	STD COLLET	T (Nm)	RPM	LENGTH	X3	X4	COOLANT TYPE	WEIGHT (kg)
5	ER25	35	6000	STANDARD	163	111	K1 K2 K3 K4	10,3